

Modbus® to Foundation® Fieldbus gateway, the T710



Summary:

- ◆ DIN rail mounted module
- ◆ FF H1 device
- ◆ Modbus RTU over RS 485
- ◆ Optional bus terminator included
- ◆ Supports up to 4 Modbus instruments
- ◆ One dynamic variable (Primary variable) per instrument
- ◆ Can be configured from any FF Host system
- ◆ Modbus Master - FF H1 slave
- ◆ Pluggable screw terminals for easy and safe cable termination
- ◆ ITK 5.2.0
- ◆ Registered at The Fieldbus Foundation



General description

The T710 is **DIN rail mounted module** for interfacing Modbus instruments to an FF network.

The T710 is a complete transmitter module. It allows interfacing of up to 4 Modbus instruments.

The T710 generates a measured variable including a status variable indicating the quality of the measurement.

The T710 supports alarm flagging in the module. The user can configure four alarm levels using a standard configuration tool.

The T710 supports low-pass filtering in the module. The user can configure the damping value using a standard configuration tool.

The T710 supports four blocks of consecutive registers for set-up purposes. Parameters have read and right access. It is one block of data per connected Modbus instrument. The registers may be password protected.

The Primary Variable (PV) will be continuously read and updated.

The T710 can be set-up from any FF host system. No special configuration tool will be required.

T710 features:

- ◆ Modbus Master
- ◆ Support for configuration of Modbus instruments
- ◆ Four channels
- ◆ Four AI Function blocks

T710 Specifications:

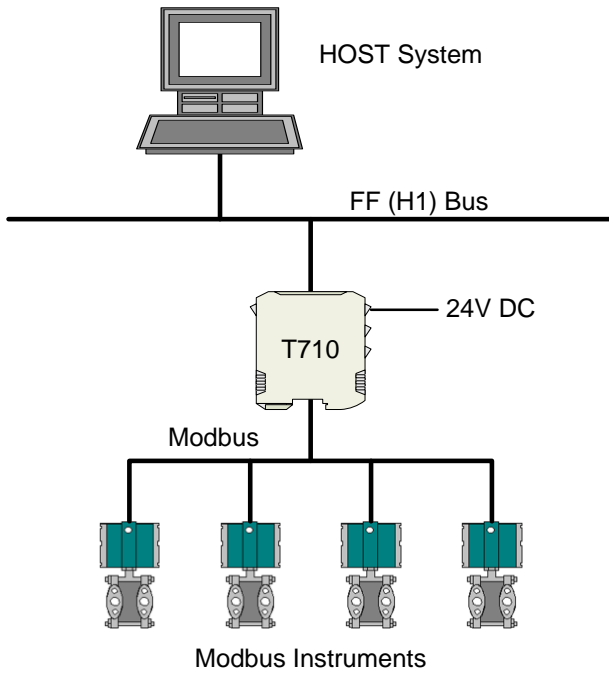
- | | |
|--------------------------------|-------------------|
| ◆ Mechanical size | 114,5mm x 99 mm |
| ◆ Mounting | DIN rail |
| ◆ Module width | 22,5 mm |
| ◆ Operating temperature range: | -40 °C to + 85 °C |
| ◆ FF bus current draw | 20 mA |

Address:

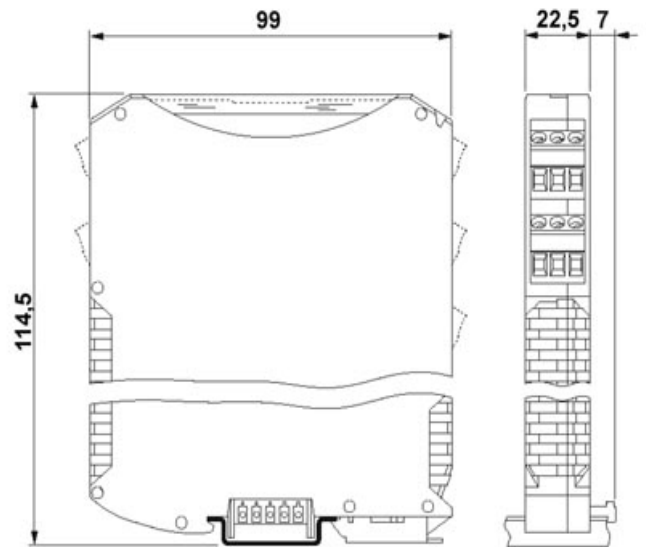
Fieldbus International AS
Ullern Alle 28
N-0381 OSLO
NORWAY

Phone: +47 22 13 19 10
Fax: +47 22 13 19 11
e-mail info@fint.no
<http://www.fint.no>

Instrument and gateway set-up



Mechanical dimensions



Screw terminations

Terminal	Connection	Comment
1	FF+	Bus connection
2	FF-	Bus connection
3	FF shield	EMC gnd
4	FF shield	EMC gnd
5	12-30V	Power
6	Gnd	
7	Modbus shield	EMC gnd
8	Modbus shield	EMC gnd
9, 11, 13, 15		Modbus intruments
10, 12, 14, 16		Modbus intruments